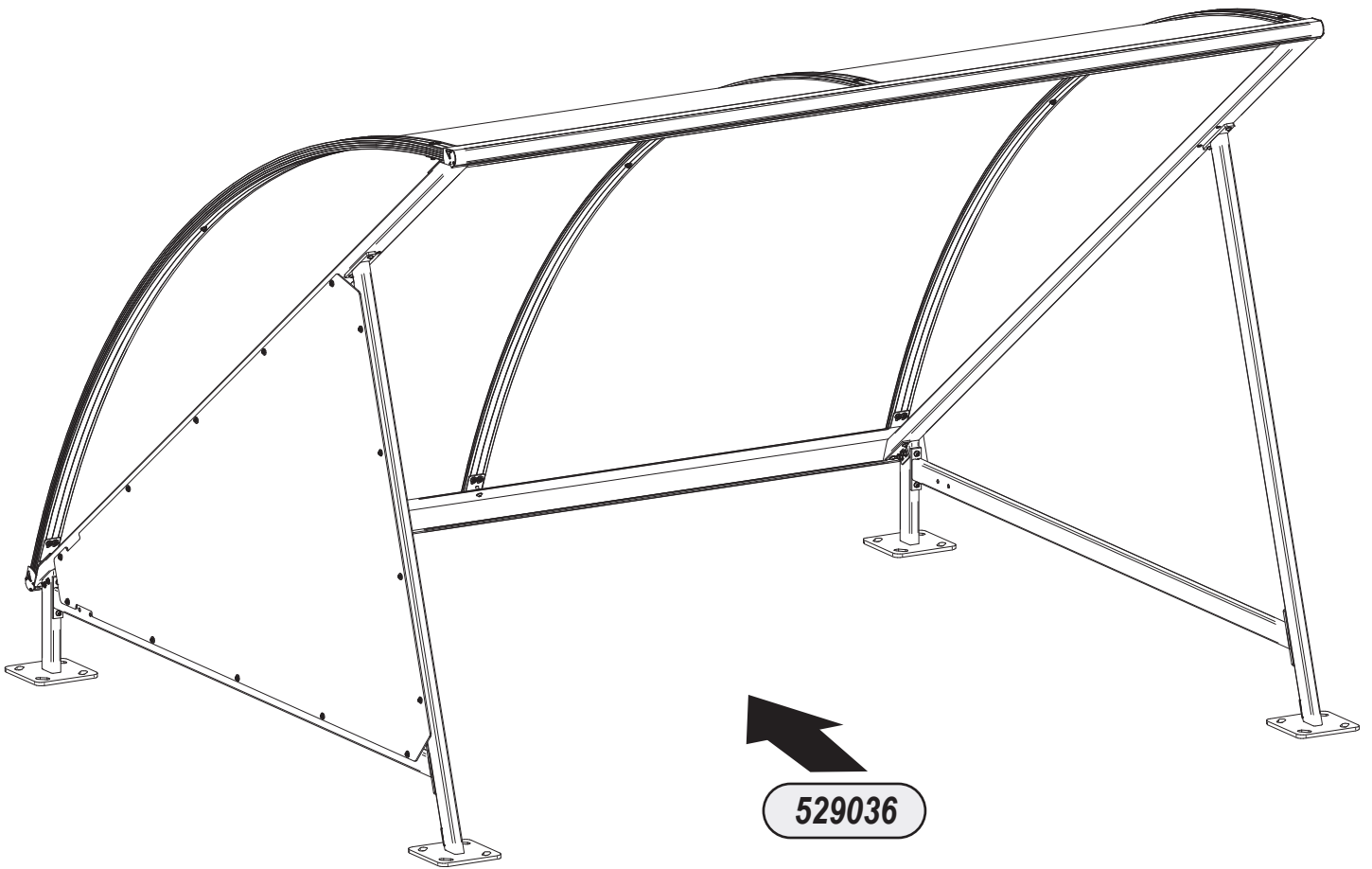


ABRI DEMI-LUNE sans Range Vélo

Réf. 529036



PROACITY

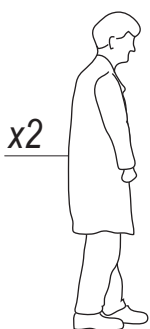
N° OF :
.....



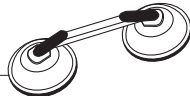
FRANCE: +33.(0)2.54.80.32.99

EXPORT: +33.(0)1.39.08.26.55

Procity = (x0)



x2



x4

